

TOPAZ COMPACT FLOAT VALVE

PRODUCT INFO



TOPAZ [COMPACT] FLOAT VALVE

Description

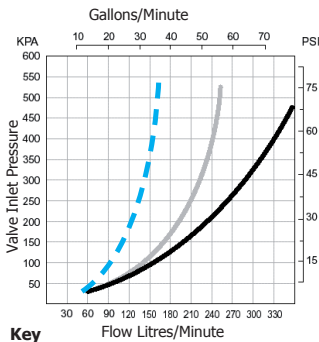
Topaz compact float valves are float operated valves for use in the automatic filling of water troughs, tanks & cisterns where space is limited. The valve is configured for above water mounting only. The compact weighted float operates a small pilot valve which in turn operates the main diaphragm valve. Topaz Compact float valves are positive on/off and are ideal when working with pump supplied water in a small compartment.

Applications

Maintaining Water Levels in:

- Animal Drinking Troughs
- Water Storage Tanks
- Water Cisterns
- Air Conditioning Systems
- High Pressure Cleaning Systems
- Irrigation Applications

Flow Graph

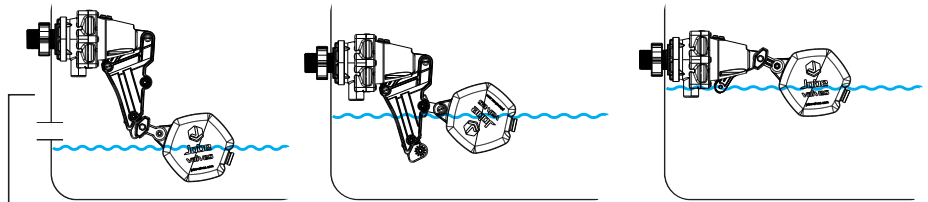


Key
 - 15mm (1/2")
 - 20mm (3/4")
 - 25mm & 32mm (1" & 1 1/4")

Features

- Compact Weighted Float
- High flow
- Compact robust construction
- Made from corrosion resistant materials
- Shuts down slowly to minimise water hammer
- 20 - 60mm (3/4" - 2 1/2") water level differential (increases as water inlet pressure increases)
- Pressure rating 0.3 - 10 Bar (5 - 150 PSI)
- Float position easily adjustable with no tools
- Valve has switch to lock it in off position
- Has port to connect Frostpro anti freeze device
- Detach™ Valve Seal Access System for quick access to valve seal


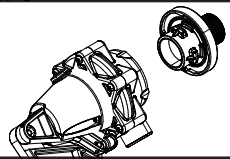
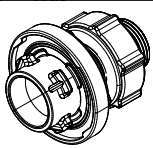
Mounting Positions



Two inlet diameters above overflow to avoid back siphoning

N.B. Some mounting positions may not comply with local regulations

Options

	BSP				NPT				 Specifies this Thread size
	1/2"	3/4"	1"	1 1/4"	1/2"	3/4"	1"	1 1/4"	
Inlet Size									
Detach Base Short Tail		✓	✓	✓		✓	✓	✓	 Detach
Detach Base Long Tail	✓	✓	✓	✓	✓	✓	✓	✓	
Long Tail: Available only with Detach Base. Supplied with backnut and seal washer.									
Floats: 55mm wide floats supplied standard.									
 Compact Float 55mm									

TOPAZ TROUGH VALVE SPECIFICATION

PRODUCT	CODE	INLET SIZE	CODE	OPTIONS	CODE
Topaz Compact Float Valve	TPVC	1/2" bsp/npt	15	Detach Base	D
		3/4" bsp/npt	20	Long Tail Base	LT
		1" bsp	25		
		1" npt	1		
		1 1/4" bsp	32		
		1 1/4" npt	114		
NOTE: If no options are specified the standard ones will be supplied					

Note: Product may differ slightly from these specs due to ongoing product development.

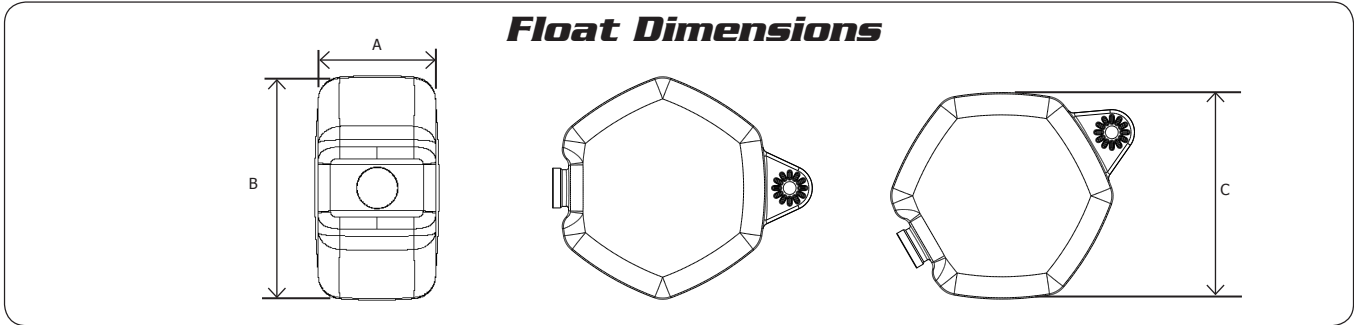
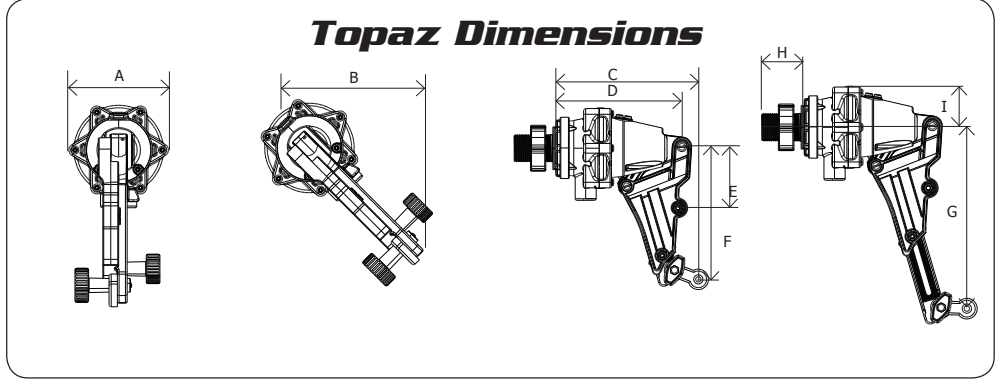
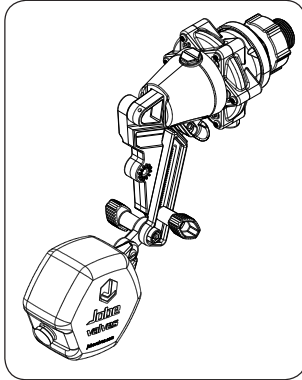
200 L / MIN

TOPAZ COMPACT FLOAT VALVE

DIMENSIONS AND MATERIALS



TOPAZ [COMPACT] FLOAT VALVE



200 L / MIN

Topaz Dimensions			
	mm	inches	
A	88	3 1/2	
B	100	3 15/16	
C	157	6 1/16	
D	124	4 7/8	
E	58	2 9/32	
F	119	4 11/16	
G	176	6 15/16	
H	22	7/8	
	22	7/8	
	25	1	
	100	4	
	38	1 1/2	
	54	2 1/8	
	60	2 3/8	
I	40	1 7/16	
Float Dimensions			
	55mm Float		
		mm	inches
	A	55	2 1/16
	B	97	3 3/4
C	91	3 1/2	

Materials	
Valve Body	Glass Filled Nylon
White & Yellow Internal Parts	Acetal
Filter	PP + Nylon
Diaphragm	EPDM
Seal	Urethane
Springs, Bolts, Nuts, Pin, Screws	304 Stainless Steel
Detach Seal	Santoprene
O'Rings	Nitrile
Float	HDPE
Seal Washer	LDPE

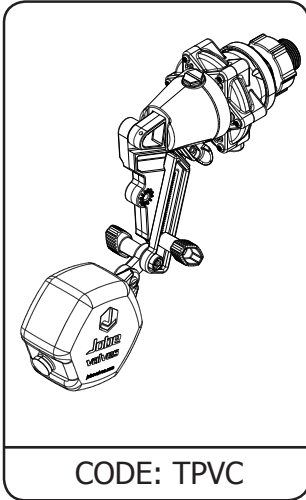
Maximum Temperature of Operation 60°C, 140°F

TOPAZ COMPACT FLOAT VALVE

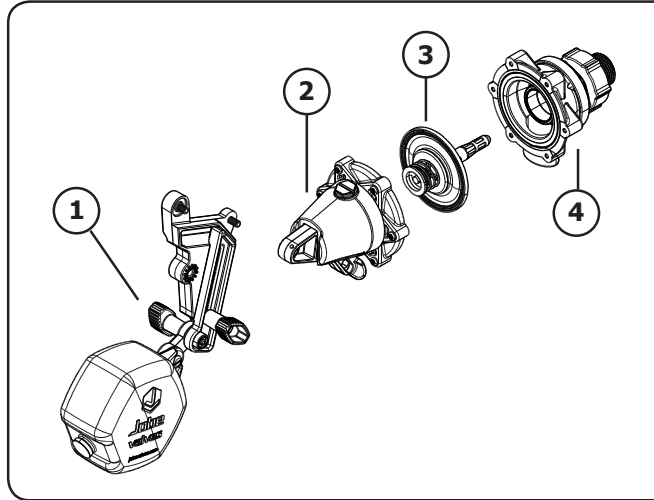
PARTS IDENTIFICATION SHEET



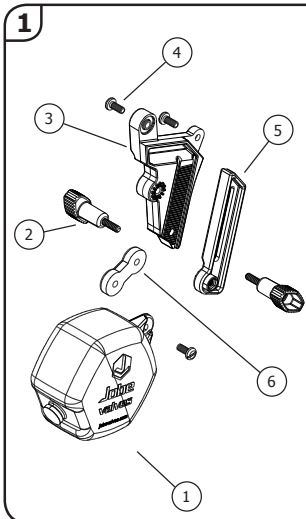
TOPAZ [COMPACT] FLOAT VALVE



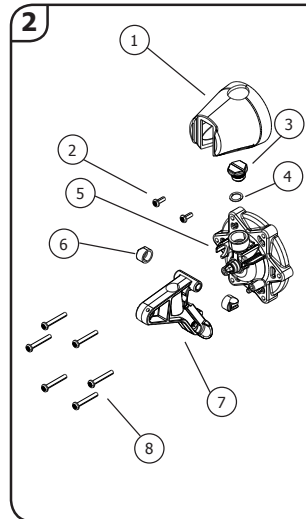
CODE: TPVC



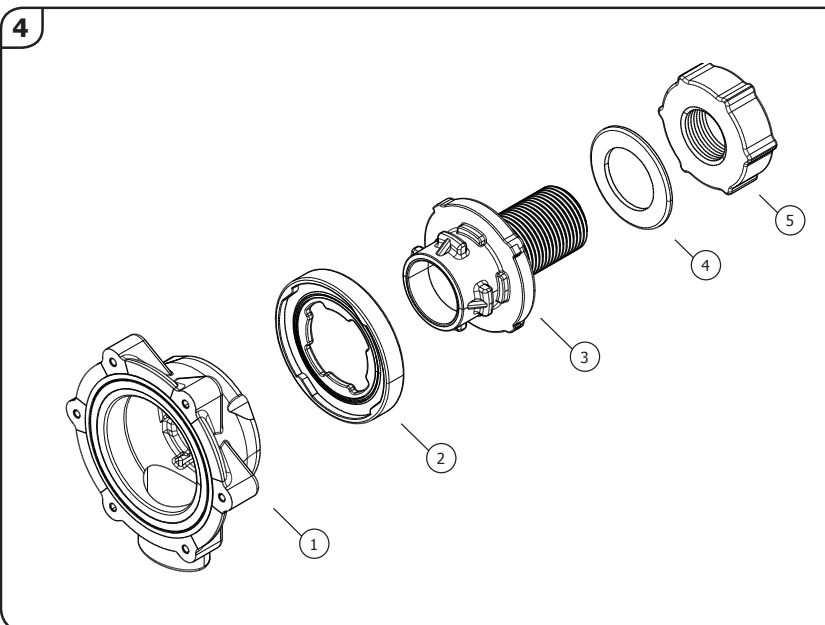
CODE	DESCRIPTION
1	Float Assembly
2	TPPC2 Cap & Actuator Assembly
3	TPP3 Diaphragm Assembly
4	Detach Base Assembly



CODE	DESCRIPTION
1	TPPC1055 55mm Compact Float
2	TPP1020 Wing Bolt
3	TPP1030 Extension Arm
4	TPP1040 Bolt M5 x 12 Pan Slot
5	TPP1050 Extension Slide
6	TPPC1065 25mm Extension Arm



CODE	DESCRIPTION
1	TPPC2011 Actuator Cap
2	TPP2020 6g x 10 S/S Screw
3	TPP2030 Frost Pro Plug
4	TPP2040 Frost Pro O'ring
5	TPP2050 Valve Cap Assembly
6	TPP2080 Bearings (set of two)
7	TPP2090 Actuator Arm
8	TPP2100 6g x 25 S/S Screw



CODE	DESCRIPTION
1	TPP4A010 Detach Base
2	TPP4A020 Detach Seal
3	TPP4A0415 Detach Tail 20mm(3/4") Short
	TPP4A0425 Detach Tail 25mm(1") Short
	TPP4A0435 Detach Tail 32mm(1 1/4") Short
	TPP4A0410 Detach Tail 15mm (1/2") Long
	TPP4A0420 Detach Tail 20mm (3/4") Long
	TPP4A0431 Detach Tail 25mm (1" bsp) Long
	TPP4A0441 Detach Tail 32mm (1 1/4" bsp) Long
	TPP4A0430 Detach Tail 1" npt Short
	TPP4A0440 Detach Tail 1 1/4" npt Short
	TPP4A0432 Detach Tail 1" npt Long
	TPP4A0442 Detach Tail 1 1/4" npt Long
4	TPP4A050 Seal Washer 15mm (1/2")
	TPP4A051 Seal Washer 20mm (3/4")
	TPP4A052 Seal Washer 25mm (1")
	TPP4A053 Seal Washer 32mm (1 1/4")
	TPP4A054 Backing Washer SS 32mm (1 1/4")
5	TPP4A060 Backnut 15mm (1/2")
	TPP4A061 Backnut 20mm (3/4")
	TPP4A062 Backnut 25mm (1")
	TPP4A063 Backnut 32mm (1 1/4")

200 L / MIN